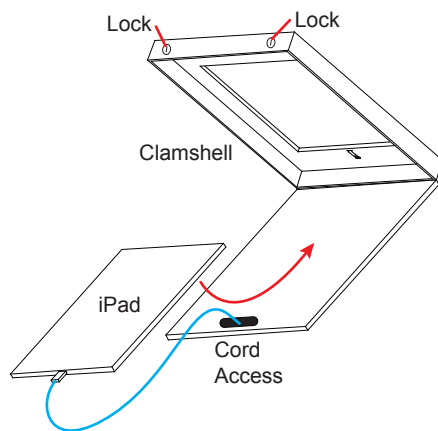


Steps:

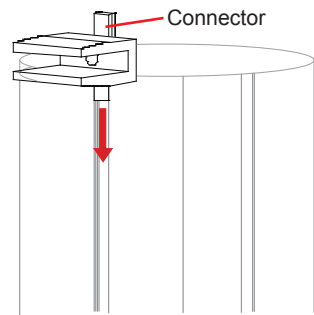
- 1) Attach base to post, using bolt.
- 2) Attach plate to top of post, using screw.
NOTE: Plate must rotate left and right before installing clamshell.
- 3) Attach clamshell to plate, using hex nuts.
- 4) Connect graphics to A10 clamps. See **A10 Clamp** detail.
- 5) Insert iPad into clamshell, then feed cords through holes.
See **Cord Management for iPad** details.

Cord Management for iPad

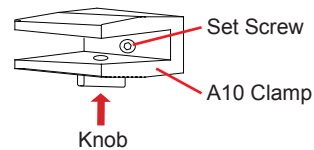


Attach iPad cord to supplied USB extension cord. Feed USB cord through top hole of post, then out bottom hole of post. Connect to power.

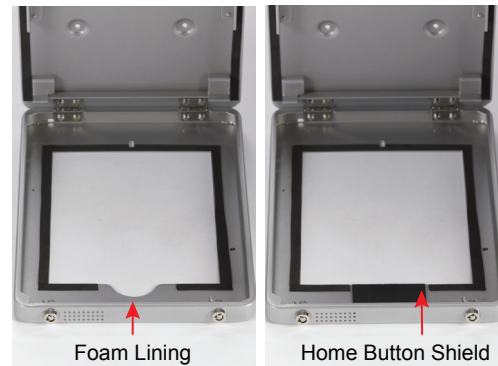
A10 Clamp



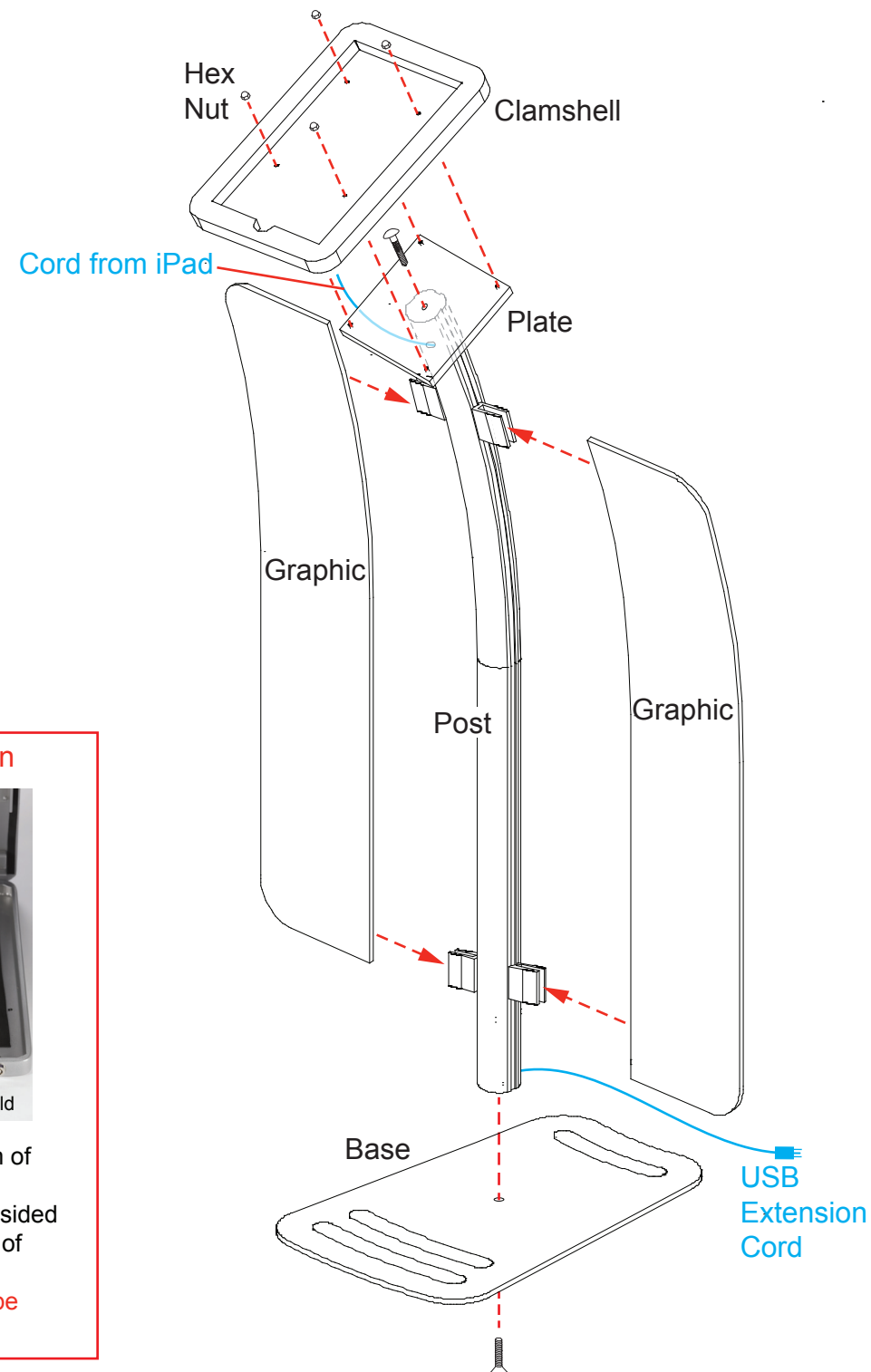
- 1) Slide connector of clamp into extrusion groove.
- 2) Tighten set screw when A10 is in desired location.
- 3) Insert wing into clamp.
- 4) Tighten knob on clamp to secure wing in place.



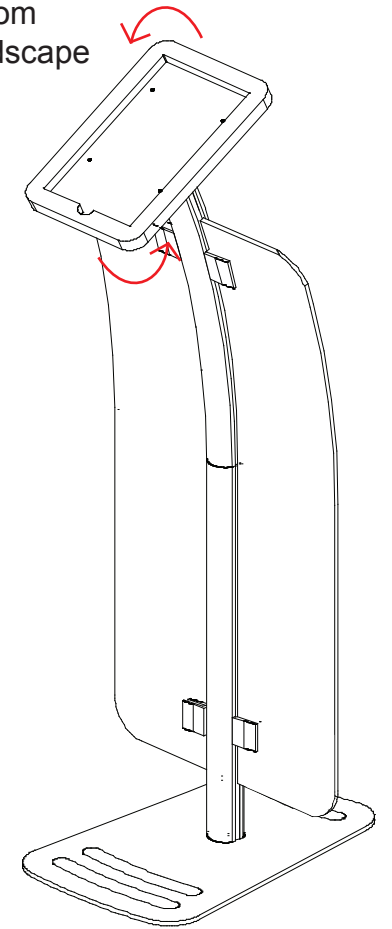
Optional Cover for Home Button



- 1) Remove foam lining from inside bottom of clamshell.
 - 2) Attach home button shield with double-sided tape to inside of clamshell, keeping top of shield flush with clamshell opening.
- NOTE: This is a permanent fix and can't be easily removed.**



Rotate clamshell to turn iPad from portrait to landscape orientation.



Completed Assembly

General Setup Instructions

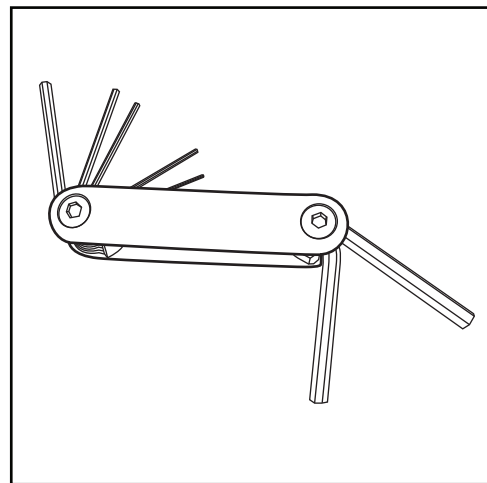
- Read entire setup instruction manual prior to unpacking parts and pieces.
- The setup instructions are created specifically for this configuration.
- Setup instructions are laid out sequentially in steps, including exploded views with detailed explanation for assembly.

Cleaning & Packing

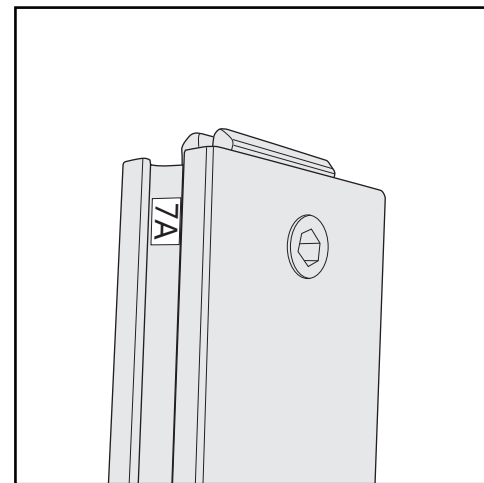
- For Cleaning Metal, Plex, & Laminate Parts: Use a **MILD NON-ABRASIVE** cleanser and soft cloth/paper towel to clean all surfaces.
- Keep exhibit components away from heat and prolonged sun exposure.
Heat and UV exposure will warp and fade components.
- Retain all provided Packing Materials. All provided packing materials are for ease of repacking & component protection.

Disassembly

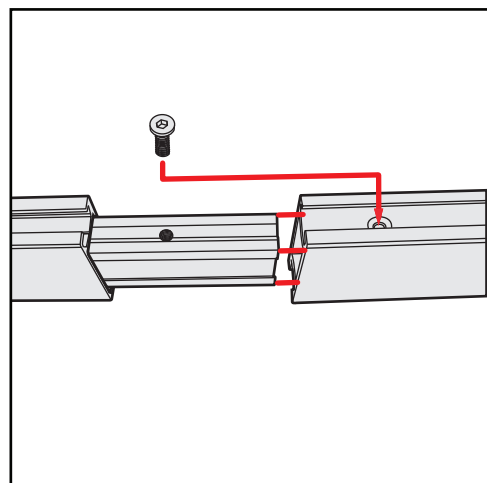
- For loss prevention, tighten all setscrews and locks during disassembly



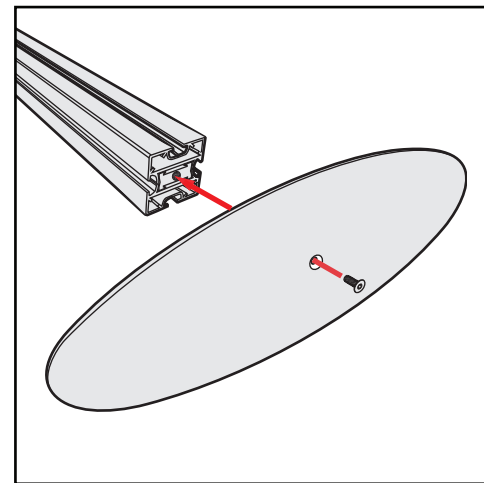
Hex Tool - Essential for Assembly



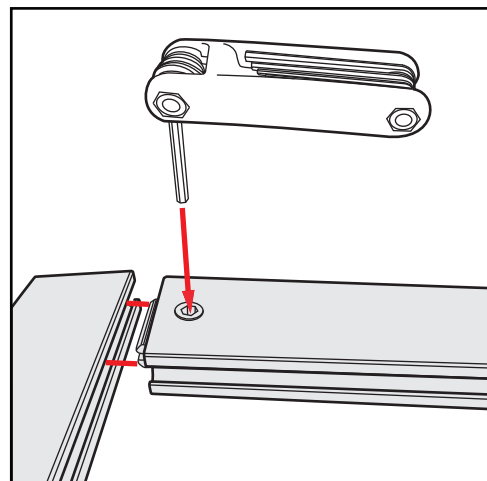
Part Identification - Numbering



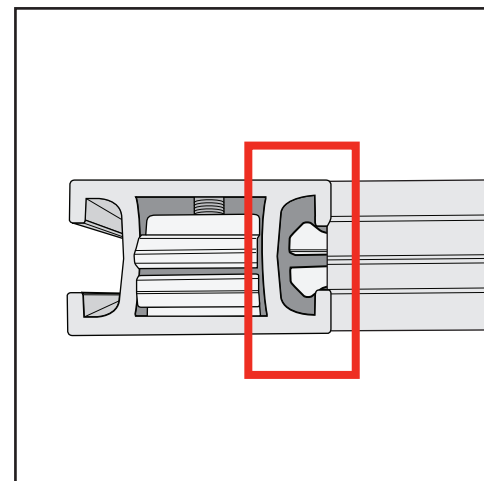
Spline Connection



Base Plate & Extrusion Connection



Extrusion & Lock Connection



Engaged Lock



WARNING



DO NOT USE POWER TOOLS



LADDERS OR LIFTS
MAY BE REQUIRED



ALL CONNECTIONS MUST
BE TIGHTLY SECURED